

# HIGHLY EFFICIENT SOFT MOUNTED WASHER EXTRACTORS

**FX  
RANGE**

FX65	FX80	FX105	FX135
6,5KG 14LB	7,5KG 18LB	10,5KG 25LB	13,5KG 30LB



## FEATURES

- Freestanding, high spin (up to 1165 RPM - FX65,80)
- Stainless steel top panel & Anthracite grey front and side panels
- Stainless steel drum and tub
- Xcontrol - easy to use microprocessor
- Patented Soap Hopper
- Large drain valve (Ø 76 mm)
- Easy access to all vital parts from the front
- Large door opening for easy loading & unloading
- Easy Soap - liquid soaps connection

## OPTIONS

- Xcontrol Plus - Fully programmable
- Coin or CPS (Central Payment) version
- Stainless steel front and side panels
- USB + RS485 plug (on the back panel)
- Liquid soap pumps
- Water recovery kit
- Steam heating version
- Drain pump (FX65, 80)
- 3rd water inlet
- Special mop cycles + optional dirt collector



ERGONOMICAL  
CONSTRUCTION



LARGE DOOR  
OPENING



LOW WATER  
AND ENERGY  
CONSUMPTION

 cascade  
drum

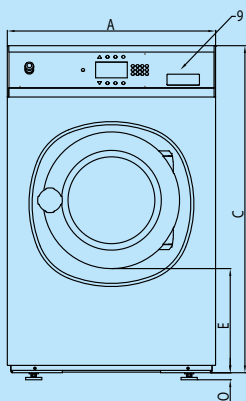
 TRACE-TECH

 XCONTROL

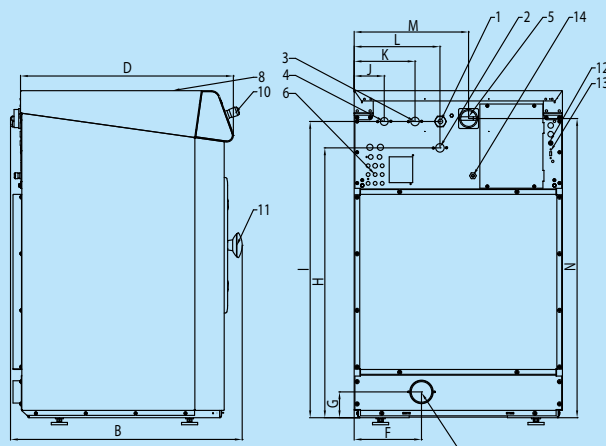
 supereco  
washing programmes

**GET AHEAD** IN LAUNDRY 

TYPE		FX65	FX80	FX105	FX135
<b>INNERDRUM</b>					
Maximum capacity 1:9	kg (lb)	7 (15)	9 (20)	12 (26)	15 (33)
Capacity 1:10	kg (lb)	6,5 (13)	7,5 (18)	10,5 (24)	13,5 (31)
Volume	litres	65	75	105	135
Diameter	mm	530	530	620	620
<b>DRUM SPEED</b>					
Wash	rpm	49	49	49	49
Extraction	rpm	1165	1165	1075	1075
<b>G-FACTOR</b>					
		400	400	400	400
<b>HEATING</b>					
Electricity (standard)	kW	6 / 9	6 / 9	6 / 9 / 12	9 / 12
Steam	bar	1 - 8	1 - 8	1 - 8	1 - 8
Hot water	°C	90	90	90	90
Sound pressure level	dB (A)	< 65	< 65	< 65	< 65
Water valves connection	BSP	3/4"	3/4"	3/4"	3/4"
Water pressure	kPa	100-800	100-800	100-800	100-800
Rec. water pressure	kPa	300-500	300-500	300-500	300-500
Water inlet	l/min	20	20	20	20
Drain valve	outer Ø mm	76	76	76	76
Flow amount with drain valve	l/min	210	210	210	210
Steam valve connection	BSP	1/2"	1/2"	1/2"	1/2"
Steam pressure	kPa	100-800	100-800	100-800	100-800
<b>DIMENSIONS</b>					
Size H×W×D	mm	1115×710×740	1115×710×790	1225×795×795	1225×795×945
Net weight	kg	170	185	210	255
<b>TRANSPORT DATA</b>					
Packed H×W×D	mm	1245×750×840	1245×750×840	1345×835×840	1345×835×985
Gross weight	kg	180	200	235	275



Front side



Left side

- 1 Electrical connection
- 2 Hot water
- 3 Cold water hard
- 4 Cold water soft
- 5 Main switch
- 6 Liquid soap connection
- 7 Drain
- 8 Soap dispenser
- 9 Control panel
- 10 Button CENTRALSTOP
- 11 Door opening, FX65, FX80: Ø 330mm; FX105, FX135: Ø 410mm
- 12 Fuses
- 13 USB port
- 14 Electrical connection to liquid soap pumps

## DIMENSIONS

	A	B	C	D	E	F	G	H	I	J	K	L	M	N	O
FX65	710	740	1115	676	349	230	82	914	1004	113	218	293	390	1020	24
FX80	710	790	1115	726	349	230	88	920	1010	113	218	293	390	1020	24
FX105	795	795	1225	761	342	230	88	1030	1120	103	208	293	475	1130	24
FX135	795	945	1225	911	342	230	88	1030	1120	103	208	293	475	1130	24

width depth height

		FX80
Water consumption	l/kg	6,6
Electricity consumption	kWh/kg	0,18

\* Program No 11



WATCH  
THE FX VIDEO  
[www.bit.ly/videofx](http://www.bit.ly/videofx)



The Primus preserves the right to change the machines and the specification in this leaflet at any time, without prior notice. Details and photographs are only for information and never binding.

[www.primuslaundry.com](http://www.primuslaundry.com)

Primus by Alliance Laundry Systems

